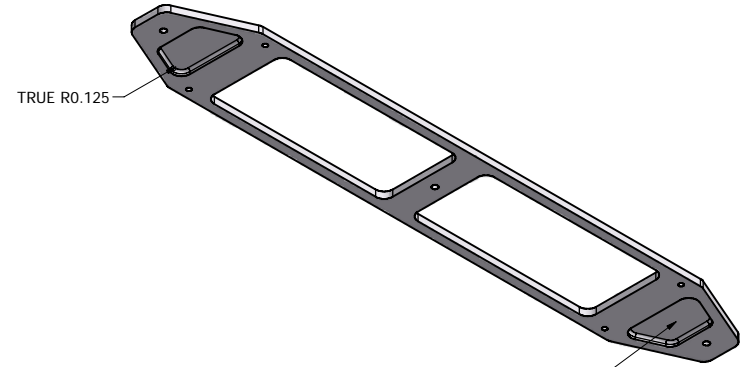
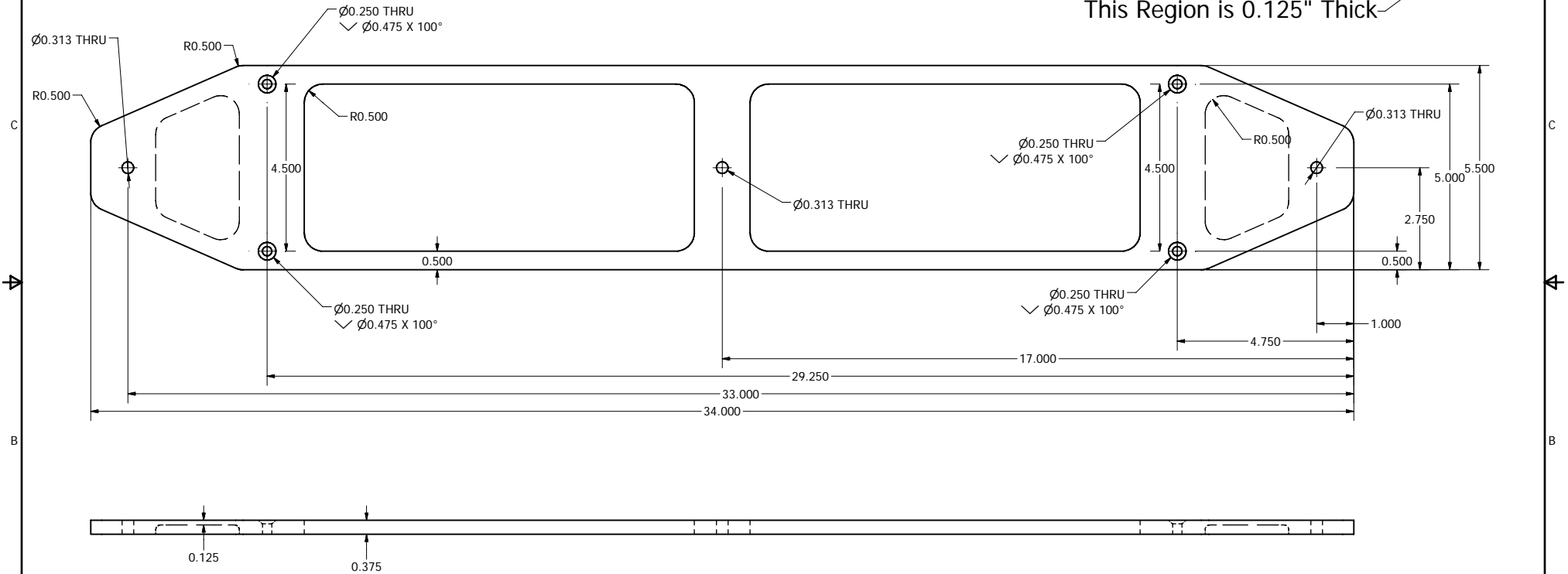


Make One (1)
 7075-T6 Aluminum
 Alodine (Iridite) Finish
 Break All Edges

Relative Hole Spacing +/- 0.005"
 Thickness +0.020" -0.005"
 All Other Dimensions +/- 0.020"



This Region is 0.125" Thick



DRAWN	Bill Dube' x3933	5/31/2006	NOAA ESRL CRD-2	
CHECKED		5/31/2006	TITLE	
QA			PTR-MS Middle Floor Plate, Lightened	
MFG			SIZE	DWG NO
APPROVED			C	FloorPlate3RailMiddleLightened
			SCALE	REV
				SHEET 1 OF 1