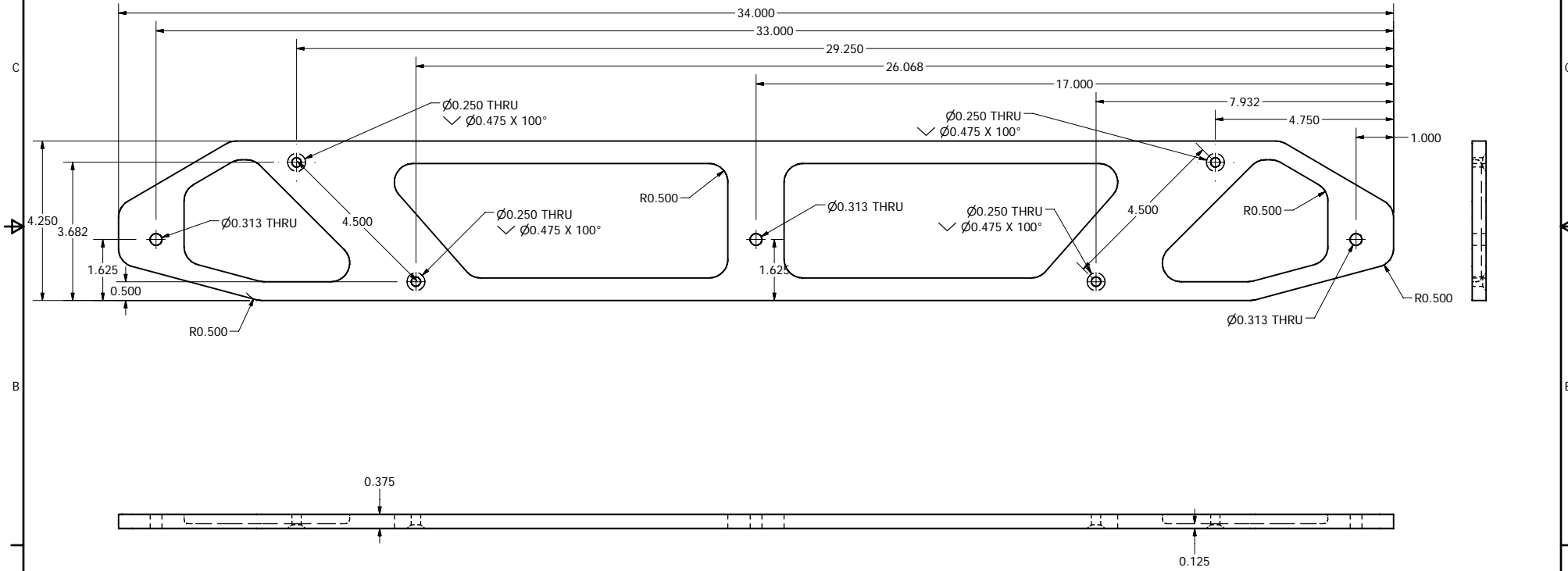
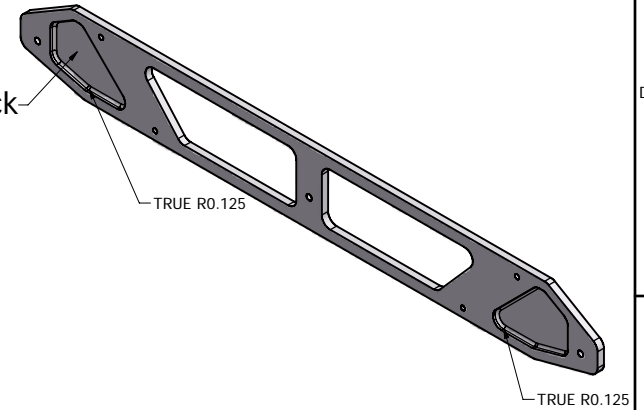


Make Two (2) Total

Material 7075-T6 Aluminum
 Alodine (Iridite) Finish
 Break All Edges

Relative Hole Locations +/- 0.005"
 Thickness +0.020" -0.005"
 All Other Dimensions +/- 0.020"

This Region 0.125" Thick



DRAWN Bill Dube' x3933	5/31/2006	NOAA ESRL CRD-2	
CHECKED	5/31/2006	TITLE	
QA		PTR_MS Aft and Fore Lightened Floor Plate	
MFG		SIZE C	DWG NO FloorPlate3RailAftLightened
APPROVED		SCALE	REV
			SHEET 1 OF 1